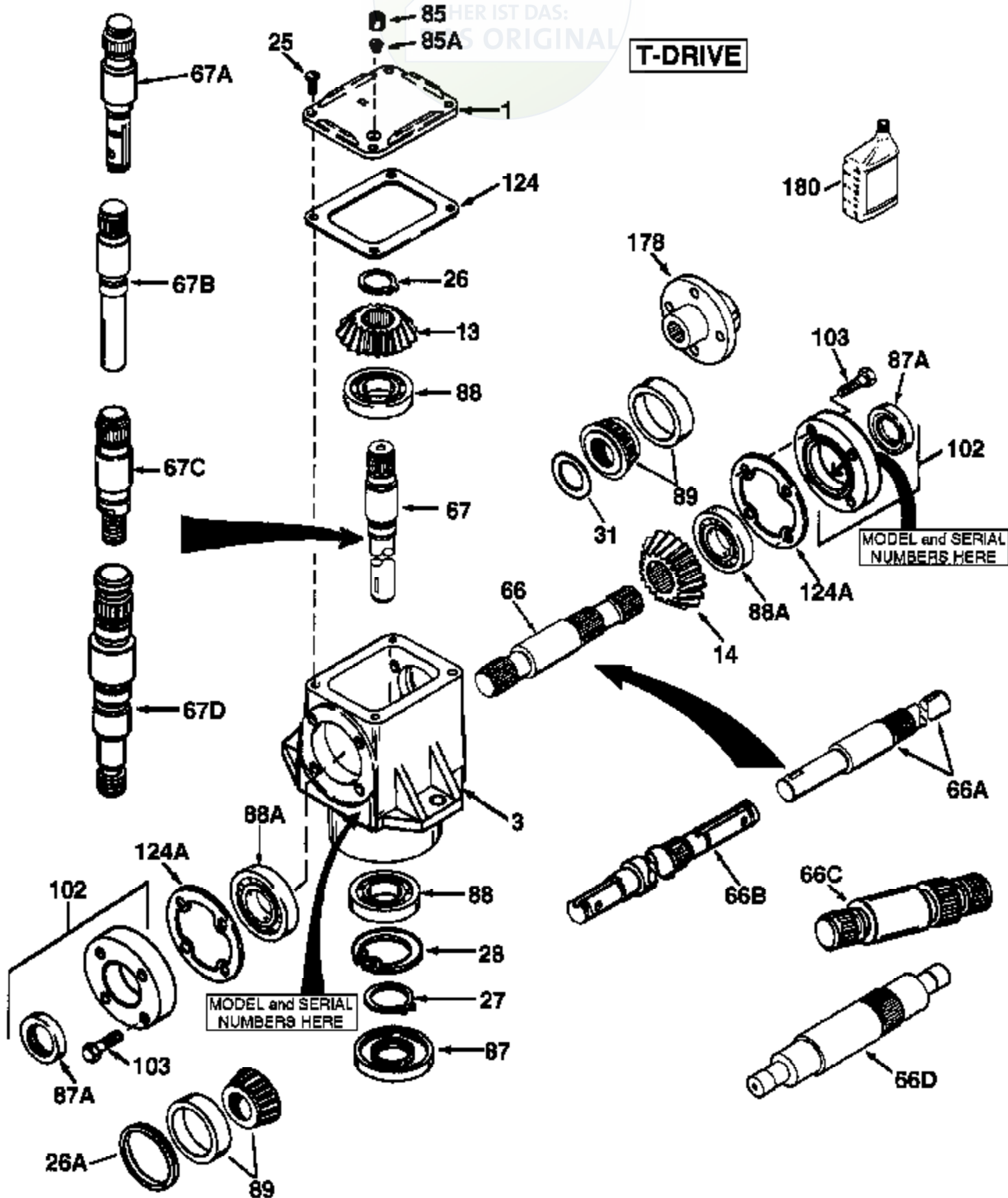


# JOIST

WER IST DAS:  
ORIGINAL

## T-DRIVE





Ref #	Part Number	Qty	Description
	794379		"T" Drive Head Assembly (Incl. 1 thru 124A)
1	772067		Cover
3	770047A		"T" Drive Housing
13	778101A		Miter Gear (17 teeth) (7/8" ID)
14	778210A		Miter Gear (17 teeth) (1" ID)
25	792025		Screw, 10-24 x 1/2"
26	788018		Retainer Ring
27	788019		Retainer Ring
66A	776127		Input Shaft (7-1/4" long)
67	776066		Output Shaft (4-19/32" long)
85	792039		Pipe Plug, 1/8-27 (countersunk headle ss)
87A	788031		Oil Seal
87	788029	1000-1000-007	Oil Seal
88	780034	Peerless	Ball Bearing
88A	780034		Ball Bearing
102	786029		Retainer Cap & Seal (Incl. 87A & 103)
103	792026		Screw, 1/4-20 x 7/8"
124A	788030B		Cap Gasket
124	788028		Cover Gasket
180	730229A		Gear Oil 80W90

1000-1000-007 Page 2 of 2

Peerless